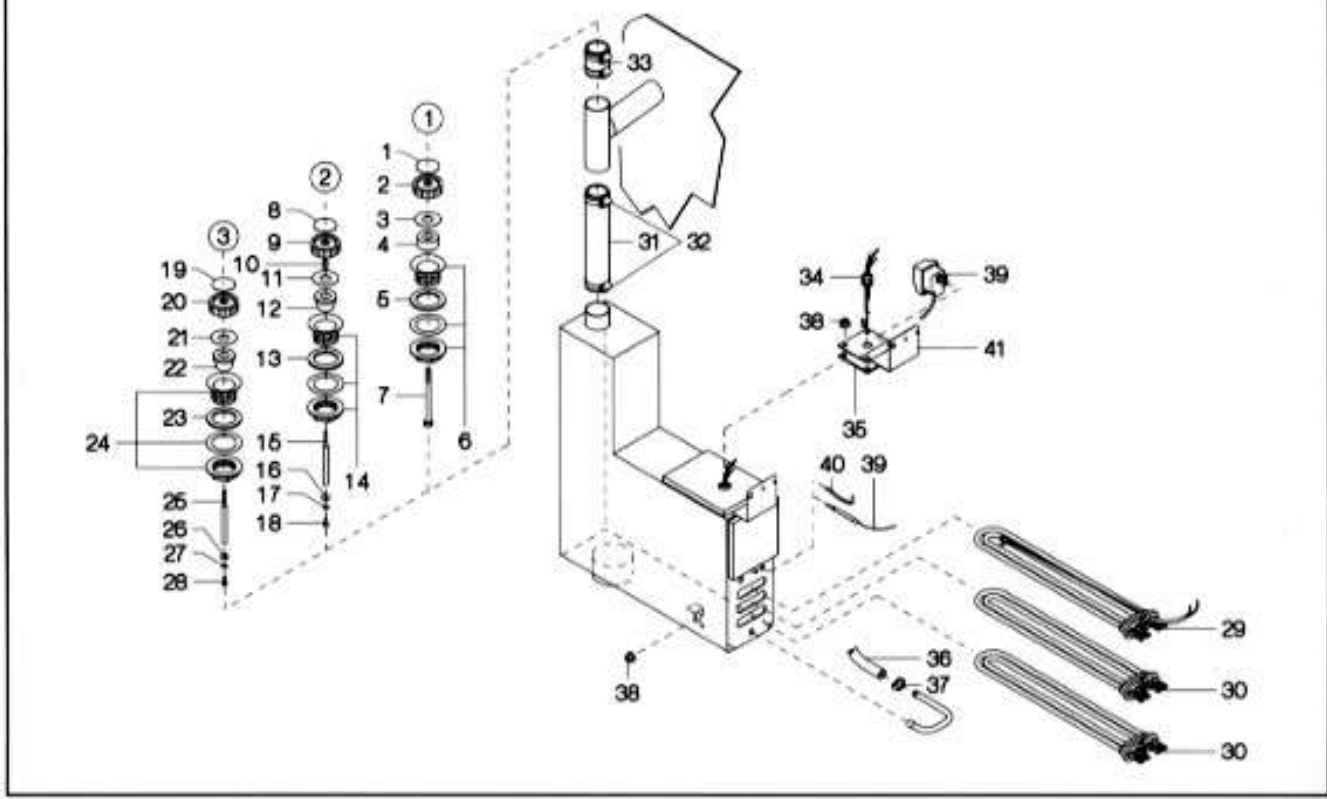


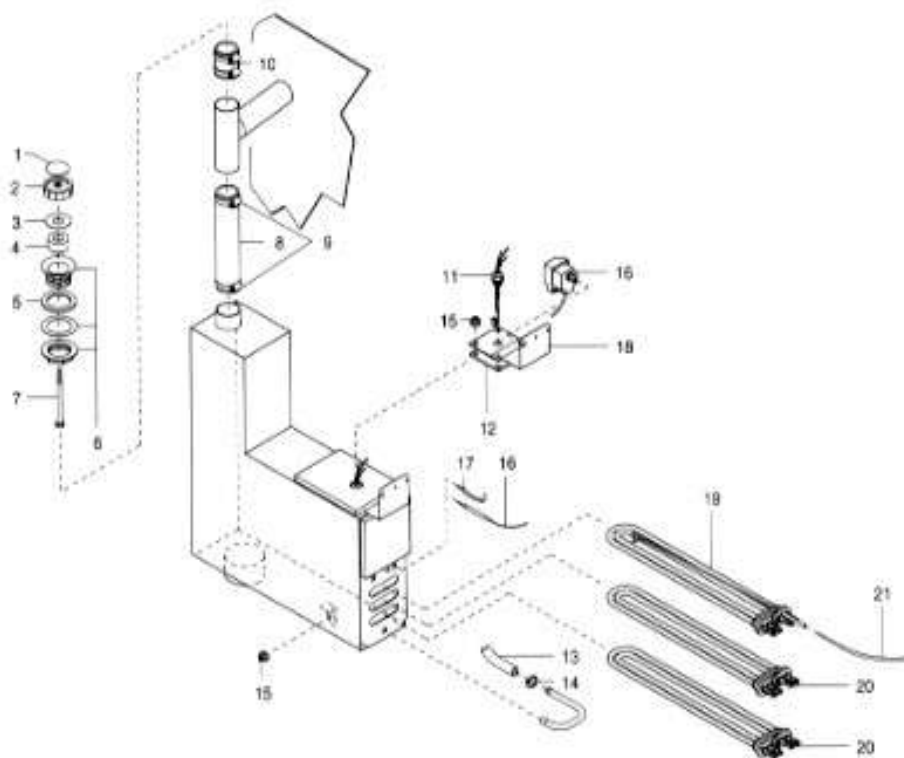
Steam Generator

Voltage	Group	Page	Edition	Application from Serial. No.
3 N AC 380V 50Hz	3	3.1	3.1.1	11C90051001



Pos.	Pcs.	Sp.	Part No.	Description	Sign.	Pos.	Pcs.	Sp.	Part No.	Description	Sign.
-	1		8404.4000	safety valve cpl (version 1)		-	1		8300.0087	steam generator cpl.	
version 1						29	1		3004.4304	heating element 2x3kW thermocouple	
1	1		2049.0800	cover plate, aluminium		30	2		3004.4302	heating element 2x3kW	
2	1		2020.0301	plastic handle		31	1		2067.0202	steam hose 150mm long	
3	1		5012.0526	gasket		32	4		2066.0504	hose clamp 40-60mm	
4	1		2026.0201	cone		33	1		2067.0201	steam hose 50mm long	
5	1		5012.0527	gasket		34	1		3002.0402	filling-level electrode 90mm	S4
6	1		2064.0100	valve body		35	1		5012.0537	gasket	
7	1		1008.0764	hex screw M8x110		36	1		2067.0162	pressure hose 1370mm long	
version 2						37	1		2062.0205	hose clamp 12-18mm	
8	1		2049.0800	cover plate, aluminium		38	5		1106.0801	hex-combi-nut M6	
9	1		2020.0301	plastic handle		39	1		3014.0300	protector against running dry	F5
10	1		2026.0301	plastic insert		40	1		2544.101230	clamping plate	
11	1		5012.0526	gasket		41	1		2520.311089	holding angle	
12	1		2026.0201	cone							
13	1		5012.0527	gasket							
14	1		2064.0100	valve body							
15	1		2026.0400	guide bar							
16	1		1305.0260	washer A5,3							
17	1		1205.0360	spring washer A5,3							
18	1		1005.0660	hex socked head screw M5x12							
version 3											
19	1		2049.0800	cover plate, aluminium							
20	1		2020.0300	plastic handle							
21	1		5012.0526	gasket							
22	1		2026.0201	cone							
23	1		5012.0527	gasket							
24	1		2064.0100	valve body							
25	1		2026.0400	guide bar							
26	1		1305.0260	washer A5,3							
27	1		1205.0360	spring washer A5,3							
28	1		1005.0660	hex socked head screw M5x12							

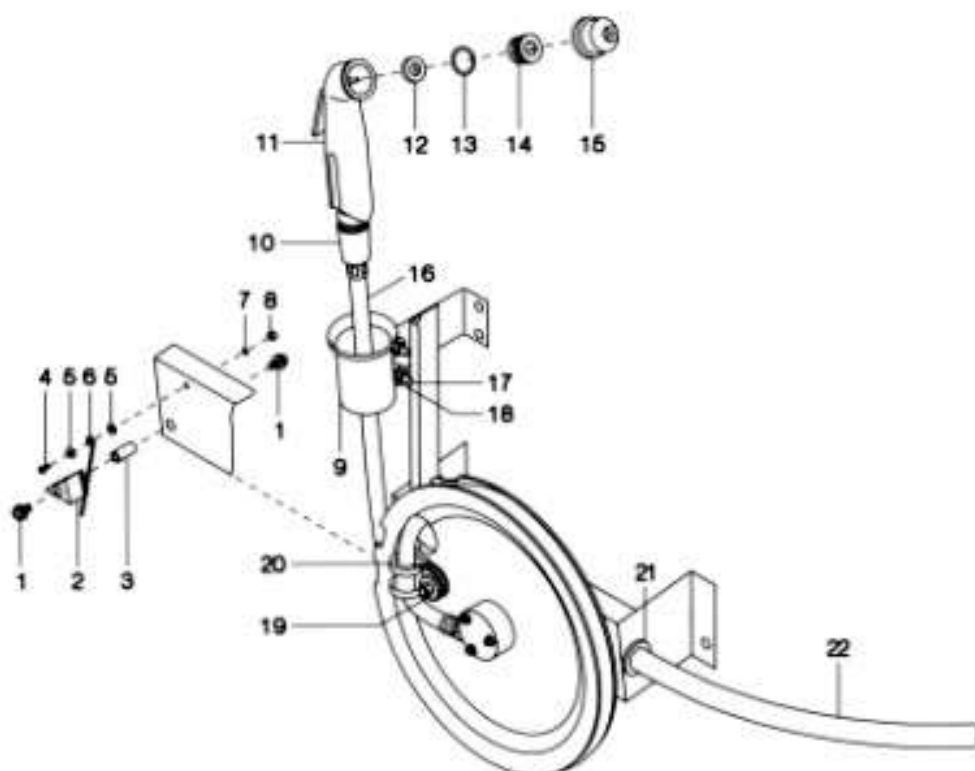
Dampfgenerator Steam generator	Spannung Voltage	Baugruppe Group	Ausgabe Edition	gültig ab Seriennummer Applicable from Serial.No.
	3 N AC 400V 50Hz	3	3.1.2	11C96011001



Pos.	St.	Ersatz-Nr.	Bezeichnung	Description
Pos.	Pcs.	Sp. Part No.		
-	1	8300.0087	SC-Dampfgenerator kpl.	SC-steam generator cpl.
-	1	8404.4000	Sicherheitsventil kpl.	Safety valve complete
1	1	2049.0800	Alu-Deckschild für Sicherheitsventil	Cover plate aluminum for safety valve
2	1	2020.0301	Griffscheibe Sicherheitsventil	Plastic-handle for safety-valve
3	1	5012.0526	Dichtung für Sicherheitsventil	Gasket for safety valve
4	1	2026.0201	Verschlußkegel Sicherheitsventil	Cone for safety valve
5	1	5012.0527	Dichtung für Sicherheitsventilgehäuse	Gasket for safety valve housing
6	1	2064.0100	Einfüllstutzen Typ 6/101	Safety valve housing
7	1	1008.0764	Sechskantschraube M8x110 f.Griffscheibe	Hex screw M8x110 for safety valve
8	1	2067.0202	Dampfschlauch NW42 150mm lang	Steam hose 150mm long
9	4	2066.0504	Schlauchschele 40-60mm	Hose clamp 40-60mm
10	1	2067.0201	Dampfschlauch NW42 60 mm lang	Steam-hose 60mm long
11	1	3002.0402	Füllstandselektrode 90mm	Filling-level electrode 90mm
12	1	5012.0537	Dichtung für Füllstandselektrode	Gasket for filling-level elektrode
13	1	2067.0162	Silikonschlauch 1370mm lang	Silicone hose 1370mm long
14	1	2066.0205	Schlauchschele 12-18mm	Hose clamp 12-18mm
15	5	1106.0801	Sechskant-Combi-Mutter M6	Hex combination nut M6
16	1	3014.0300	Trockengehschutz 125°C	Dry up protector 125°C
17	1	2544.101230	Klemmblech Dampfgenerator	Clamping plate thermostat steam generator
18	1	2520.311089	Halterung für Trockengehschutz	Holder for dry up protector
19	1	3004.4157	Tauchheizkörper 2x3kW 400V mit Fühlerrohr	Heating element 2x3kW 400V with sensor pipe
20	2	3004.4302	Tauchheizkörper 2x3kW 400V	Heating element 2x3KW 400V
21	1	3014.0165	Thermoelement Dampfgenerator	Thermo element steam generator

Bottom (Hand Shower)

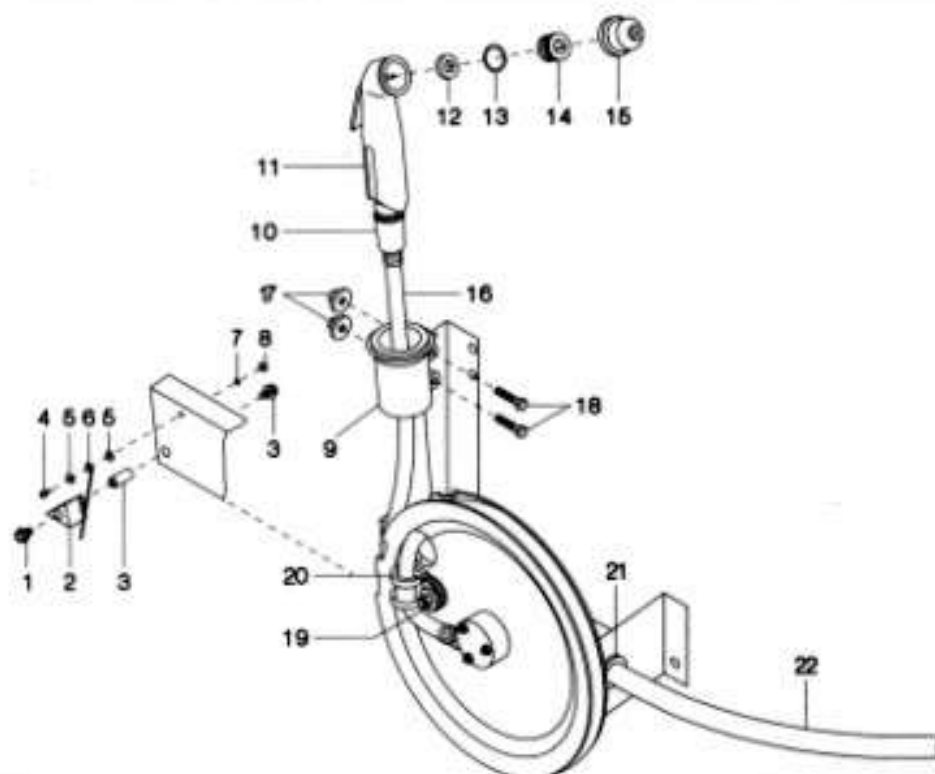
Voltage	Group	Page	Edition	Application from Serial. No.
3 N AC 380V 50Hz	10	10.1	10.1.1	11C90051001



Pos.	Pcs.	Sp.	Part No.	Description	Sign.
-	1		8410.1000	hand shower cpl.	
1	2		1005.2000	safety screw M5x8	
2	1		2060.0120	notch lever	
3	1		2060.0115	axle for notch lever	
4	1		1004.0061	slotted pan head screw M4x8	
5	2		1304.0160	washer A4,3	
6	1		2001.0300	notch spring	
7	1		1204.0120	toothhead lock washer A4,3	
8	1		1104.0120	hex nut M4	
9	1		2060.0116	tulip	
10	1		2060.0110	revolving joint	
11	1		2060.0100	hand shower (incl.pos.12,13,14,15)	
12	1		2060.0218	gasket	
13	1		2060.0217	O-ring	
14	1		2060.0216	head screw	
15	1		2060.0215	mouthpiece	
16	1		2067.0603	shower hose	
17	2		1008.0751	hex screw M5x25	
18	2		1105.0122	hex-combi-nut M5	
19	6		1106.0801	hex-combi-nut M6	
20	1		2066.0510	hose clamp with rubber core	
21	1		4016.0500	grommet	
22	1		2067.0130	pressure hose 750mm long	

Bottom (Hand Shower)

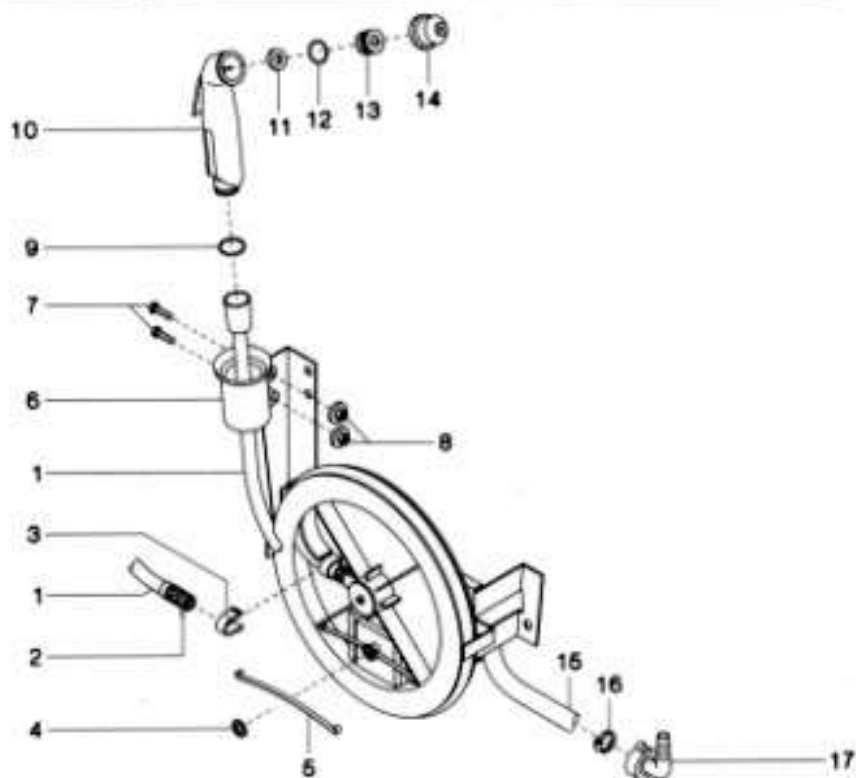
Voltage	Group	Page	Edition	Application from Serial. No.
3 N AC 380V 50Hz	10	10.1	10.1.2	11C92031133



Pos.	Pcs.	Sp.	Part No.	Description	Sign.
-	1		8410.1010	hand shower cpl.	
1	2		1005.2000	safety screw M5x8	
2	1		2060.0120	notch lever	
3	1		2060.0115	axle for notch lever	
4	1		1004.0061	slotted pan head screw M4x8	
5	2		1304.0160	washer A4,3	
6	1		2001.0300	notch spring	
7	1		1204.0120	toothhead lock washer A4,3	
8	1		1104.0120	hex nut M4	
9	1		2060.0121	tulip	
10	1		2060.0110	revolving joint	
11	1		2060.0100	hand shower	
12	1		2060.0218	gasket	
13	1		2060.0217	O-ring	
14	1		2060.0216	head screw	
15	1		2060.0215	mouthpiece	
16	1		2067.0603	shower hose	
17	2		1105.0122	hex-combi-nut M5	
18	2		1008.0751	hex screw M5x25	
19	6		1106.0801	hex-combi-nut M6	
20	1		2066.0510	hose clamp with rubber core	
21	1		4016.0500	grommet	
22	1		2067.0130	pressure hose 750mm long	

Bodengruppe (Handbrause)

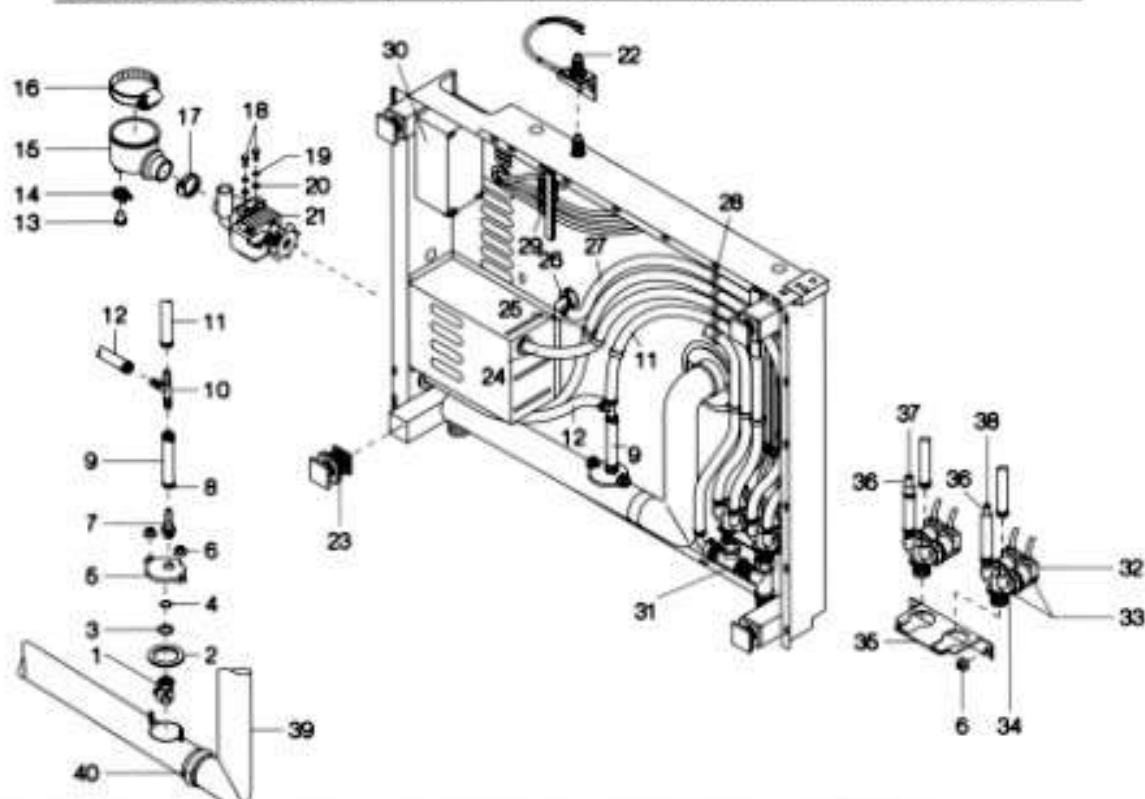
Spannung	Baugruppe	Blatt	Ausgabe	gültig ab Seriennummer
3 N AC 380V 50Hz	10	10.1	10.1.3	11C92121377



Pos.St.	Ersatzl.Nr.	Bezeichnung	Kenn-Zohn.
-	1	8410.1013	Schlauchroller kpl.
1	1	2067.0605	Brauseschlauch
2	2	2060.0228	Dichtung für Brauseschlauch
3	1	2060.0152	Halteklammer
4	1	2001.0203	Federmutter
5	1	2001.0202	Bügelfeder
6	1	2060.0121	Tulpe
7	2	1008.0751	Sechskantschraube M5x25
8	2	1105.0122	Sechskant-Combi-Mutter M5
9	1	5012.0536	Dichtung für Brauseschlauch
10	1	2060.0100	Handbrause kpl. (inkl. Pos. 11,12,13,14)
11	1	2060.0218	Dichtung für Ventil
12	1	2060.0217	O-Ring
13	1	2060.0216	Innensechskant
14	1	2060.0215	Düse für Brause
15	1	2067.0060	Druckschlauch 900mm lang
16	2	2066.0205	Schlauchselle 12-18mm
17	1	2062.0203	Winkelverschraubung G3/4"

Bottom (Lower elevation)

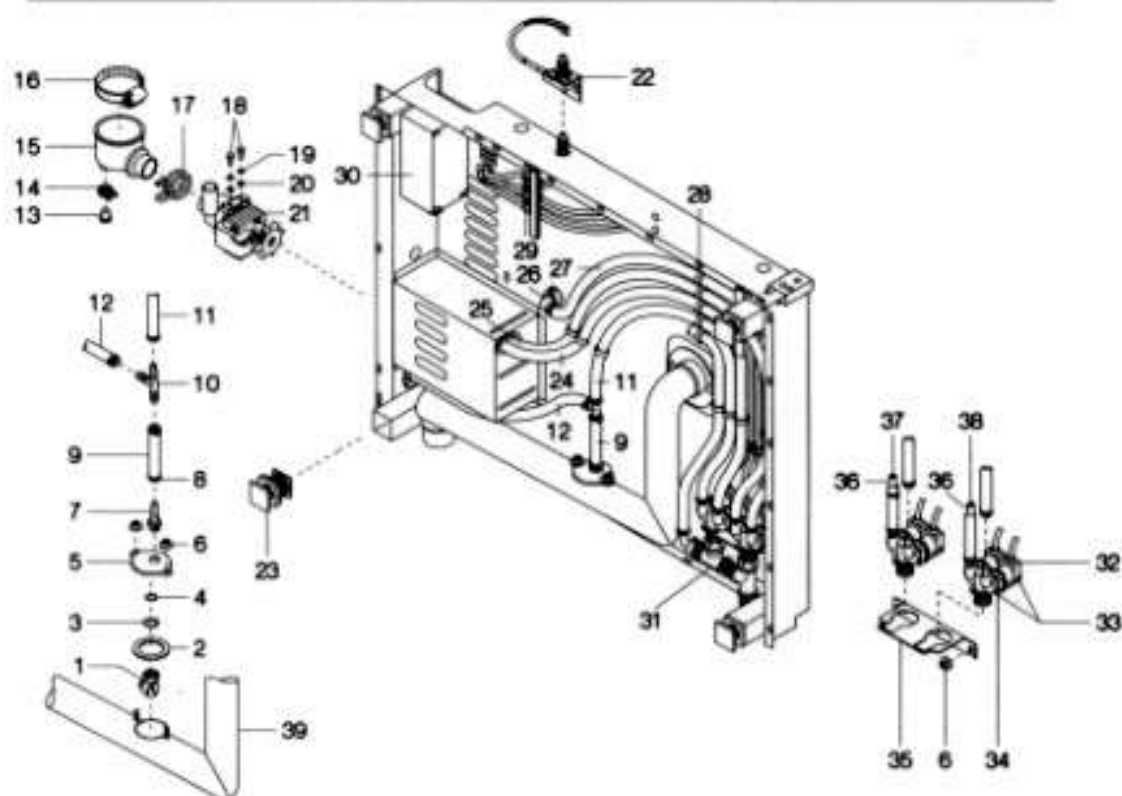
Voltage	Group	Page	Edition	Application from Serial. No.
3 N AC 380V 50Hz	9	9.1	9.1.1	11C90051001



Pos.	Pcs.	Sp. Part No.	Description	Sign.	Pos.	Pcs.	Sp. Part No.	Description	Sign.
-	1	8612.0102	quenching nozzle cpl. (pos. 1,2,3,4,5,7)		30	1	3038.0200	terminal box	
1	1	2016.0900	quenching nozzle		31	1	8621.0100	set water connection	
2	1	2070.0020	gasket		32	4	3002.0329	coil	
3	1	2580.600594	washer		33	2	3002.0327	double solenoid valve cpl.	
4	1	5012.0532	O-ring		34	2	3002.0314	body for double solenoid valve	
5	1	2070.0021	cover		35	1	2580.721120	holding angle	
6	6	1106.0801	hex-combi-nut M6		36	2	2016.0867	socket for flow regulator	
7	1	2062.0102	hose fitting G3/8"		37	1	1900.0101	flow regulator green	
8	11	2066.0205	hose clamp 12-18mm		38	1	1900.0102	flow regulator red	
9	1	2067.0126	pressure hose 100mm long		39	1	2070.0025	drain system cpl.	
10	1	2062.0302	T-fitting		40	1	2070.0013	gasket	
11	1	2067.0103	pressure hose 660mm long						
12	1	2067.0131	pressure hose 1180mm long						
13	1	2016.0873	stopper						
14	1	2066.0517	hose clamp 18,2mm						
15	1	2022.0110	pump connection						
16	1	2066.0516	hose clamp 60-80mm						
17	1	2066.0506	hose clamp 20-32mm						
18	2	1006.1960	hexagon cap screw M6x16						
19	2	1206.0120	toothhead lock washer A6,4						
20	2	1306.0120	washer A6,4						
21	1	3002.1000	discharging pump	M2					
22	1	3016.1400	door switch	S2					
23	4	2039.0100	foot adjustable						
24	1	2067.0120	pressure hose 1420mm long						
25	1	2067.0133	pressure hose 2070mm long						
26	1	2062.0208	threaded pipe angle G1/2"						
27	1	2067.0130	pressure hose 750mm long						
28	15	4006.0203	hose clamp						
29	9	4006.0201	cabie clamp						

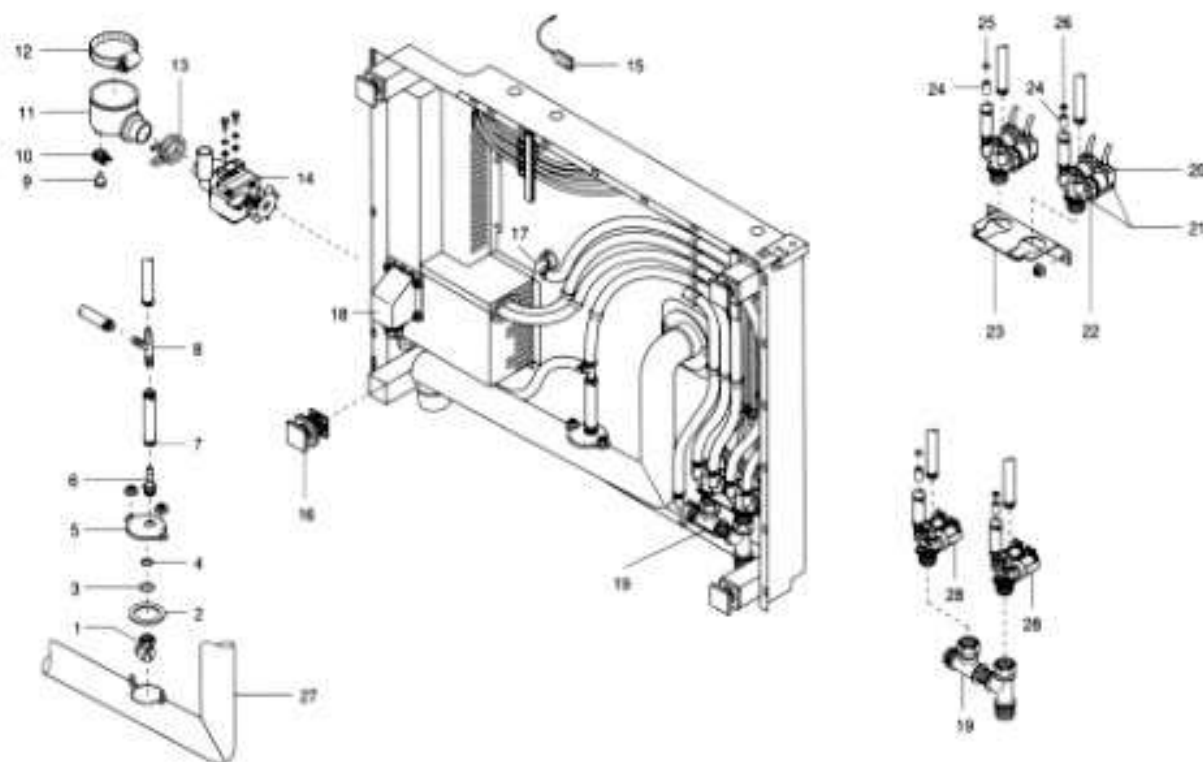
Bottom (Lower elevation)

Voltage	Group	Page	Edition	Application from Serial. No.
3 N AC 380V 50Hz	9	9.1	9.1.2	11C91042001



Pos.	Pcs.	Sp.	Part No.	Description	Sign.	Pos.	Pcs.	Sp.	Part No.	Description	Sign.
-	1		8612.0102	quenching nozzle cpl. (pos. 1,2,3,4,5,7)		30	1		3038.0200	terminal box	
1	1		2016.0900	quenching nozzle		31	1		8621.0100	set water connection	
2	1		2070.0020	gasket		32	4		3002.0329	coil	
3	1		2580.600594	washer		33	2		3002.0327	double solenoid valve cpl.	
4	1		5012.0532	O-ring		34	2		3002.0314	body for double solenoid valve	
5	1		2070.0021	cover		35	1		2560.721120	holding angle	
6	6		1106.0801	hex-combi-nut M6		36	2		2016.0867	socket for flow regulator	
7	1		2062.0102	hose fitting G3/8"		37	1		1900.0101	flow regulator green	
8	11		2066.0205	hose clamp 12-18mm		38	1		1900.0102	flow regulator red	
9	1		2067.0126	pressure hose 100mm long		39	1		2070.0038	drain system cpl.	
10	1		2062.0302	T-fitting							
11	1		2067.0103	pressure hose 660mm long							
12	1		2067.0153	pressure hose 950mm long							
13	1		2016.0873	stopper							
14	1		2066.0517	hose clamp 18,2mm							
15	1		2022.0110	pump connection							
16	1		2066.0516	hose clamp 60-80mm							
17	1		2066.0519	hose clamp 35,5mm							
18	2		1006.1960	hexagon cap screw M6x16							
19	2		1206.0120	toothed lock washer A6,4							
20	2		1306.0120	washer A6,4							
21	1		3002.1000	discharging pump	M2						
22	1		3016.1400	door switch	S2						
23	4		2039.0100	foot adjustable							
24	1		2067.0120	pressure hose 1420mm long							
25	1		2067.0124	pressure hose 1300mm long							
26	1		2062.0208	threaded pipe angle G1/2"							
27	1		2067.0130	pressure hose 750mm long							
28	15		4006.0203	hose clamp							
29	9		4006.0201	cable clamp							

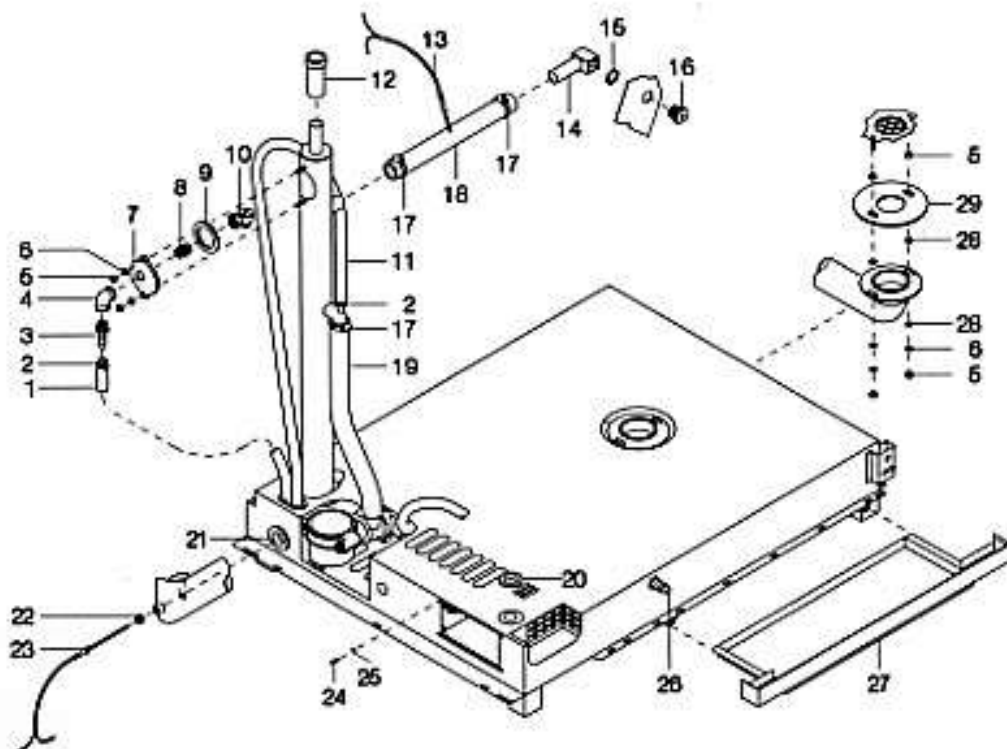
Bodengruppe (Unterseite)	Spannung	Baugruppe	Ausgabe	gültig ab Seriennummer
Bottom (Lower elevation)	Voltage	Group	Edition	Applicable from Serial.No.
	3 N AC 400V 50Hz	9	9.1.4	11C96011001



Pos.	St.	Ersatz.Nr.	Bezeichnung	Description
Pos.	Pcs.	Sp. Part No.		
-	-	2067.0050	Druckschlauch NW10 1 lfm.	Pressure hose NW10 per meter
-	1	8612.0102	Ablöschdüse kpl. unten	Quench nozzle cpl. down
1	1	2016.0900	Ablöschdüse	Quenching nozzle
2	1	2070.0020	Dichtung für Ablöschung	Gasket for quenching
3	1	2580.600594	Scheibe für Ablöschdüse	washer for quench.nozzle
4	1	5012.0532	O-Ring Ablöschung	O-ring quenching nozzle
5	1	2070.0021	Deckel für Ablöschung	Holding cover for quenching nozzle
6	1	2062.0102	Schlauchtülle G3/8"	Hose fitting G 3/8"
7	9	2066.0205	Schlauchschelle 12-18 mm	Hose clamp 12-18 mm
8	1	2062.0302	T-Stück TS 10	T-fitting TS10
9	1	2016.0873	Stopfen für Pumpenanschluß	Plug for pump connection
10	1	2066.0517	Schlauchklemme 18,2mm	Hose clamp 18,2mm
11	1	2022.0110	Pumpenanschluss ab 04/91	Pump connection from 04/91
12	1	2066.0516	Schlauchschelle 60-80mm	Hose clamp 60x80 mm
13	1	2066.0519	Schlauchklemme d 35,6 mm	Hose clamp 35,6mm
14	1	3002.1000	Entleerungspumpe 200-240 V, 50/60 Hz	Emptying pump 200-240V 50/60 Hz
15	1	3016.1415	Türkontaktschalter	Door contact switch
16	1	2039.0100	Kunststoff-Einsteckfuß	Foot adjustable plastic
-	1	2062.0208	Winkelverschraubung G1/2"x10	Elbow Nipple 1/2"x10mm
17	1	5012.0539	Dichtung Winkelverschraubung G1/2"	Gasket for G1/2" threaded joint
18	1	8801.0206	Anschlußkasten kpl.	Terminal box cpl.
19	1	8621.0100	Fittingsatz Wasseranschluß	Fitting set water connection
20	-	3002.0329	Magnetventilspule 220-240V 50/60Hz	Coil for solenoid valve 220-240V 50/60Hz
21	2	3002.0327	Doppelmagnetventil kpl.	Double solenoid valve cpl.
22	-	3002.0314	Gehäuse für Doppelmagnetventil	body for double solenoid valve
23	1	2580.721120	Haltewinkel für Zweifachmagnetventil	Bracket for double solenoid valve
24	2	2016.0867	Aufnahme für Durchflußmengenregler	Socket for flow controller
25	1	1900.0101	Durchflußmengenregler grün, Typ 101	Flow controller green
26	1	1900.0102	Durchflußmengenregler rot, Typ 201	Flow controller red
27	1	2070.0038	Abflußsystem 1-teilig.	Drain system model 6
ab Seriennummer 11C9603XXXX				from serial. no. 11C9603XXXX
28	2	3002.0330	Doppelmagnetventil kpl.	Double solenoid valve cpl.

Bottom (Top elevation)

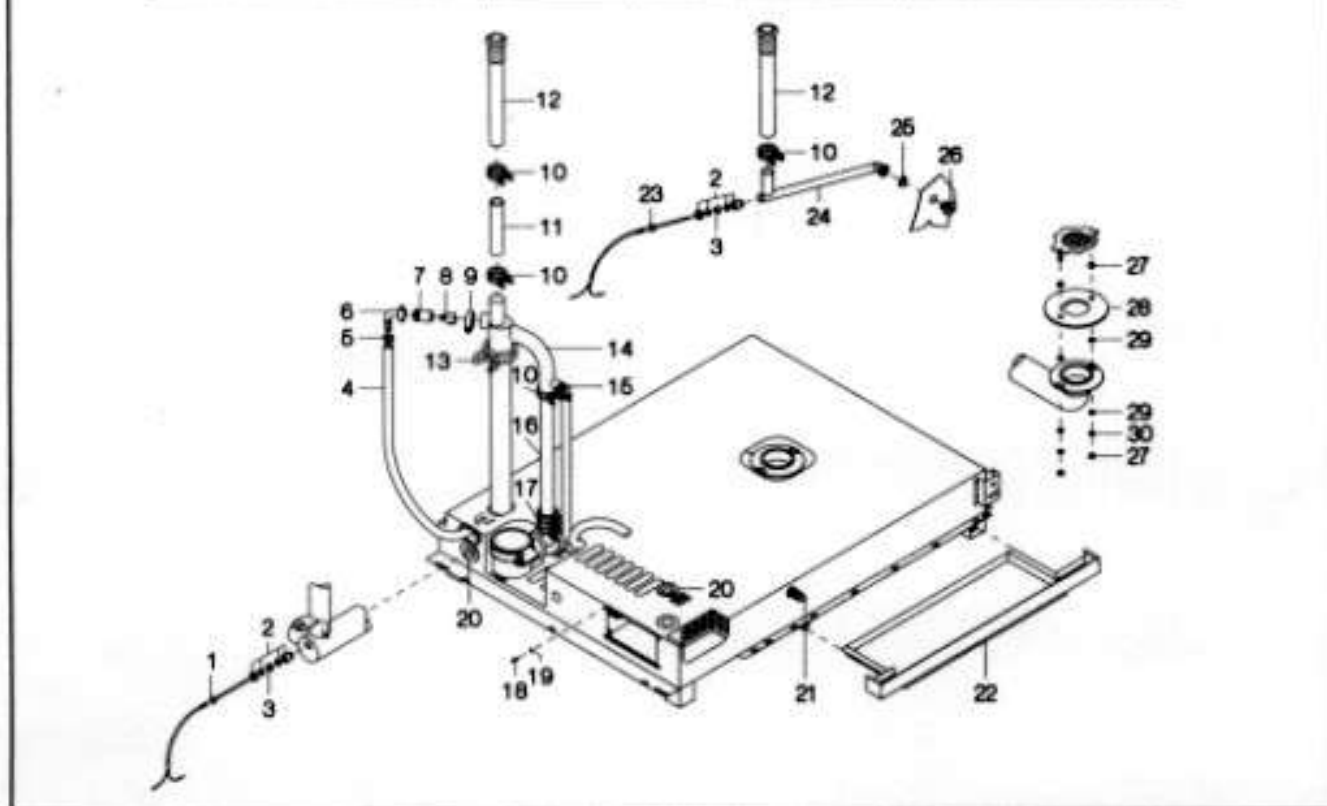
Voltage	Group	Page	Edition	Application from Serial. No.
3 N AC 380V 50Hz	8	8.1	8.1.1	11C90051001



Pos.	Pcs.	Sp. Part No.	Description	Sign.
-	1	8612.0105	quenching nozzle cpl. (pos. 3,4,7,8,9,10)	
1	1	2067.0131	pressure hose 1230mm long	
2	4	2066.0205	hose clamp 12-18mm	
3	1	2062.0102	hose fitting G3/8"	
4	1	2064.0300	fitting G3/8", angle 90°	
5	6	1106.0160	hex nut M6	
6	4	1206.0120	toothhead lock washer A6,4	
7	1	2070.0021	cover	
8	1	2064.0200	double nipple G3/8"	
9	1	2070.0020	gasket	
10	1	2016.0900	quenching nozzle	
11	1	2067.0133	pressure hose 2070mm long	
12	1	4016.0601	air inlet grommet	
13	1	3014.0150	sensor bypass	
14	1	8450.0101	fitting G1/2", angle 90°	
15	1	1315.0100	copper washer	
16	1	2016.0857	bypass nozzle G1/2"	
17	4	2066.0506	hose clamp 20-32mm	
18	1	2067.1605	silicone hose 285mm long	
19	1	2067.1615	silicone hose 400mm long	
20	1	2022.0105	grommet	
21	2	4016.0450	grommet	
22	1	2016.0879	reducing nipple	
23	1	3014.0151	sensor quenching	
24	4	1004.0660	hex socket head screw M4x10	
25	4	1204.0120	toothhead lock washer A4,3	
26	1	3016.1403	door switch	S2
27	1	8100.0115	drip collector	
28	2	1306.0221	washer A6,4	
29	1	5012.0525	gasket	

Bottom (Top elevation)

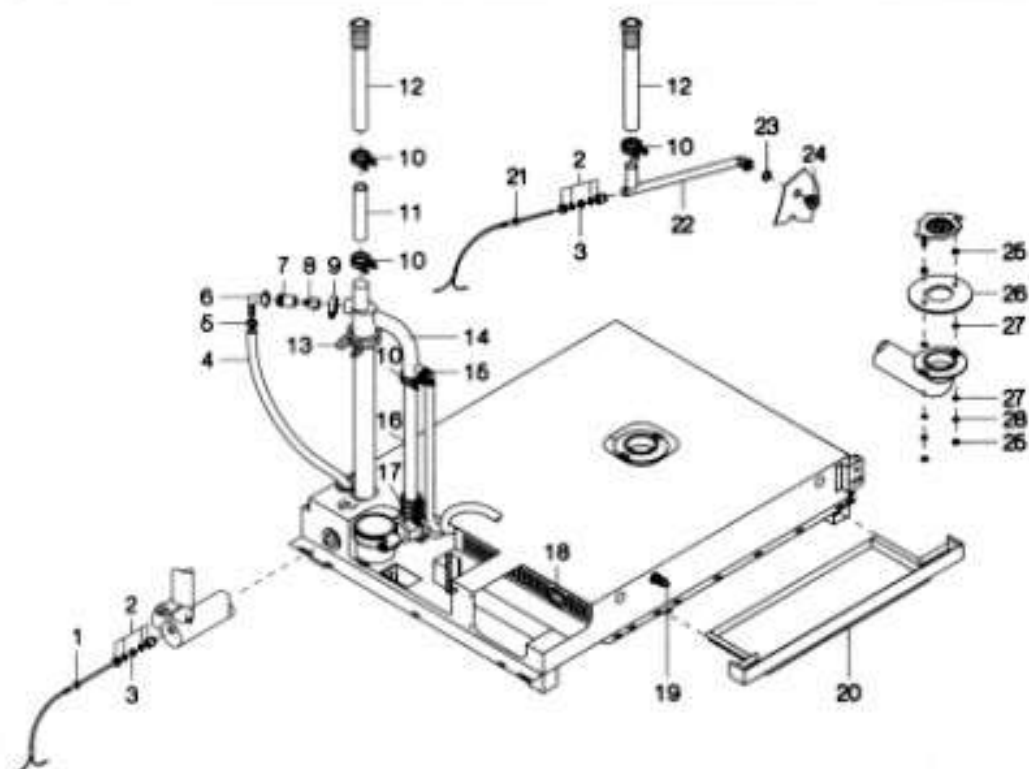
Voltage	Group	Page	Edition	Application from Serial. No.
3 N AC 380V 50Hz	8	8.1	8.1.2	11C91042001



Pos.	Pcs.	Sp.	Part No.	Description	Sign.
-	1		8612.0111	quenching nozzle cpl. (pos.7,8)	
1	1		3014.0156	sensor quenching	
2	2		4007.0600	cabie connection PG9	
3	2		2022.0100	gasket	
4	1		2067.0153	pressure hose 950mm long	
5	4		2066.0205	hose clamp 12-18mm	
6	1		2062.0208	threaded pipe angle G1/2"	
7	1		2016.0883	screwing for quenching nozzle	
8	1		2016.0915	quenching nozzle	
9	1		2066.0506	hose clamp 20-32mm	
10	3		2066.0518	hose clamp 30mm	
11	1		2610.420320	PP-pipe 145mm long	
12	2		4016.0101	air inlet grommet	
13	1		2066.0520	hose clamp 46mm	
14	1		2022.0201	drain elbow	
15	1		2062.0301	plastic elbow fitting	
16	1		2644.250288	PP-pipe 300mm long	
17	1		2022.0202	hose connection pipe 40mm long	
18	4		1004.0660	hex socket head screw M4x10	
19	4		1204.0120	toothhead lock washer A4,3	
20	3		4016.0450	grommet	
21	1		3016.1403	door switch	S2
22	1		8100.0115	drip collector	
23	1		3014.0156	sensor bypass	
24	1		2071.0100	bypass pipe	
25	1		1315.0104	copper washer	
26	1		2016.0920	bypass nozzle	
27	6		1106.0160	hex nut M6	
28	1		5012.0525	gasket	
29	4		1306.0221	washer A6,4	
30	2		1206.0120	toothhead lock washer A6,4	

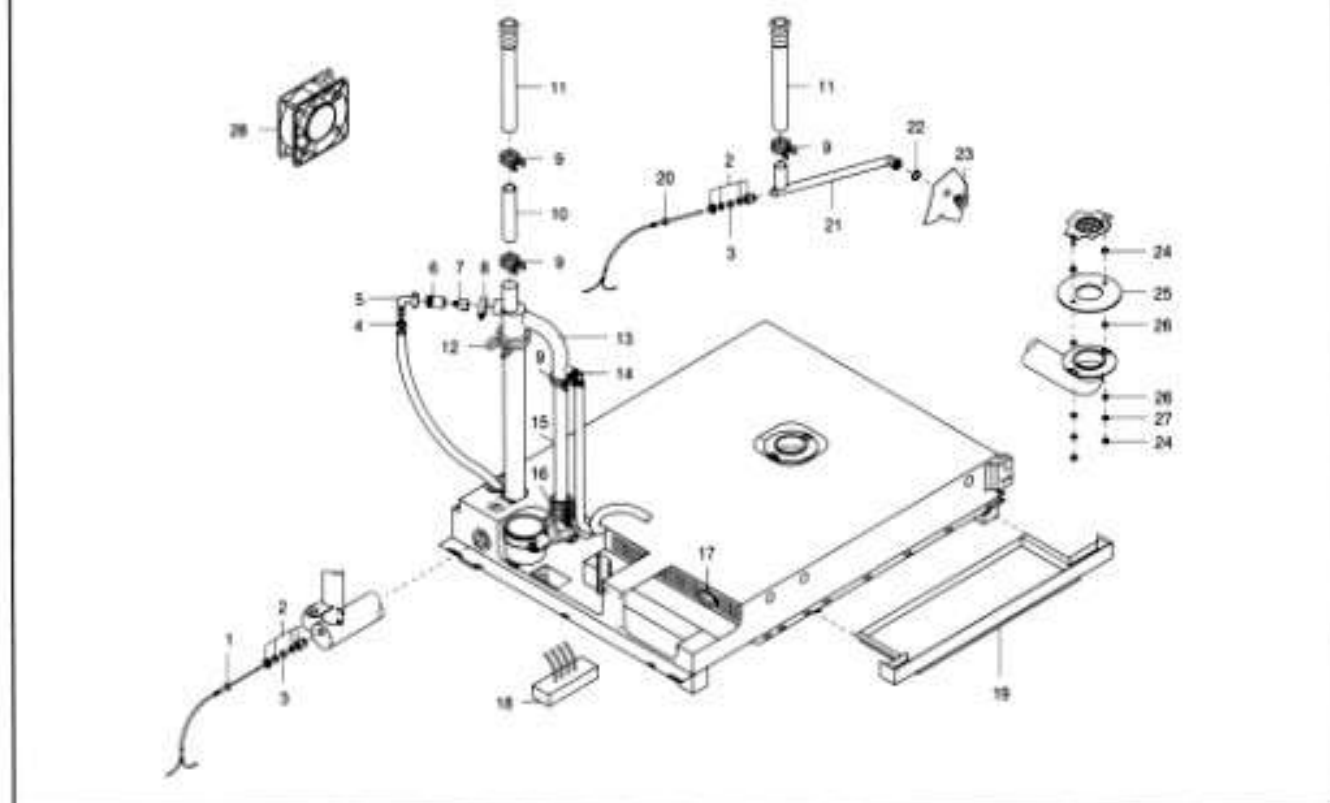
Bottom (Top elevation)

Voltage	Group	Page	Edition	Application from Serial. No.
3 N AC 380V 50Hz	8	8.1	8.1.3	11C92031133



Pos.	Pcs.	Sp.	Part No.	Description	Sign.
-	1		8612.0111	quenching nozzle cpl. (pos.7,8)	
1	1		3014.0156	sensor quenching	
2	2		4007.0600	cablc connection PG9	
3	2		2022.0100	gasket	
4	1		2067.0153	pressure hose 950mm long	
5	4		2066.0205	hose clamp 12-18mm	
6	1		2062.0208	threaded pipe angle G1/2"	
7	1		2016.0883	screwing for quenching nozzle	
8	1		2016.0915	quenching nozzle	
9	1		2066.0506	hose clamp 20-32mm	
10	3		2066.0518	hose clamp 30mm	
11	1		2610.420320	PP-pipe 145mm long	
12	2		4016.0101	air inlet grommet	
13	1		2066.0520	hose clamp 46mm	
14	1		2022.0201	drain elbow	
15	1		2062.0301	plastic elbow fitting	
16	1		2644.250288	PP-pipe 300mm long	
17	1		2022.0202	hose connection pipe 40mm long	
18	3		4016.0450	grommet	
19	1		3016.1403	door switch	S2
20	1		8100.0115	drip collector	
21	1		3014.0156	sensor bypass	
22	1		2071.0100	bypass pipe	
23	1		1315.0104	copper washer	
24	1		2016.0920	bypass nozzle	
25	6		1106.0160	hex nut M6	
26	1		5012.0525	gasket	
27	4		1306.0221	washer A6,4	
28	2		1206.0120	toothed lock washer A6,4	

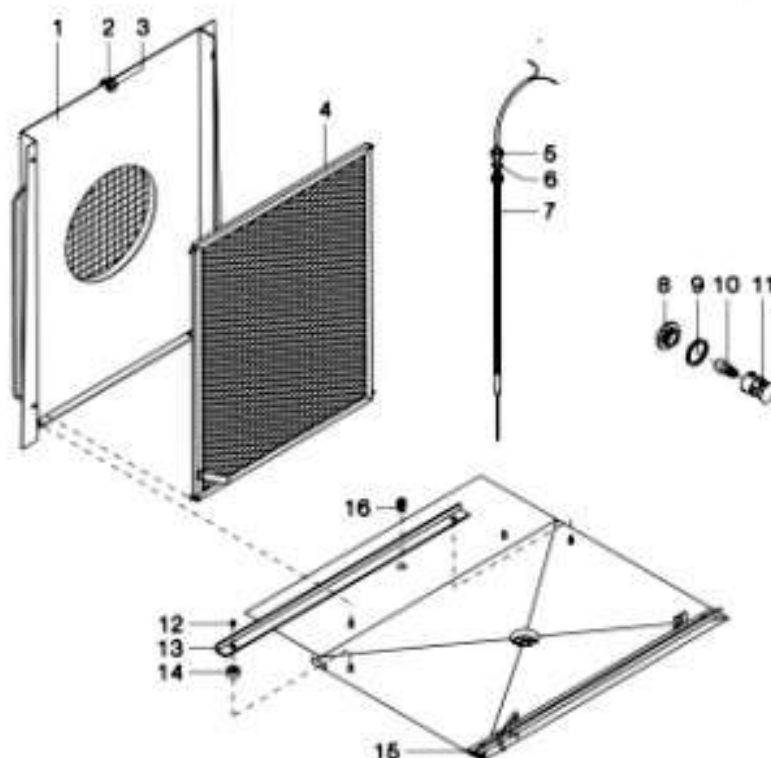
Bodengruppe (Oberseite)	Spannung	Baugruppe	Ausgabe	gültig ab Seriennummer
Bottom (Top elevation)	Voltage	Group	Edition	Applicable from Serial.No.
	3 N AC 400V 50Hz	8	8.1.4	11C96011001



Pos.	St.	Ersatz.Nr.	Bezeichnung	Description
Pos.	Pcs.	Sp. Part No.		
-	-	2067.0050	Druckschlauch NW 10 1lfm.	Pressure hose NW10 per meter
-	1	8612.0111	Ablöschdüse oben kpl. (Pos. 7,8)	Quench nozzle top (pos. 7,8)
1	1	3014.0156	Fühler Ablöschung/Bypass	Sensor bypass/quenching
2	2	4007.0600	Kabelverschraubung PG 9 Metall	Cable connection PG9
3	2	2022.0100	Silikondurchführung rot 15x4mm	Silicone gasket red
4	4	2066.0205	Schlauchschelle 12-18 mm	Hose clamp 12-18 mm
5	1	2062.0208	Winkelverschraubung G1/2"x10	Elbow Nipple 1/2"x10mm
-	1	5012.0539	Dichtung Winkelverschraubung G1/2"	Gasket for G1/2" threaded joint
6	1	2016.0883	Verschraubung Ablöschdüse	Threaded connection for quenching nozzle
7	1	2016.0915	Ablöschdüse oben	Quenching nozzle top
8	1	2066.0506	Schlauchschelle 20-32mm	Hose clamp 20-32mm
9	6	2066.0518	Schlauchklemme 30mm	Hose clamp 30mm
10	1	2610.420320	PP-Rohr 145mm lang	PP-pipe 145mm long
11	2	4016.0102	Entlüftungstülle 250mm	Vent grommet 250mm long
12	1	2066.0520	Schlauchklemme d 47 mm	Hose clamp 47 mm
13	1	2022.0201	Abflußkrümmer ab 04/91	Drain elbow from 04/91
14	1	2062.0301	Winkelschlauchfitting WS 10	Angle fitting plastic WS 10
15	1	2644.250288	PP-Rohr 300mm lang	PP-pipe 300 mm lang
16	1	2022.0202	Schlauchstutzen 40mm SC-Pumpe	Hose connection piece 40 mm SC-pump
17	3	4016.0450	Formtülle	Vent grommet
18	1	3001.0452	Entstörfilter	Electronic noise filter
19	1	8100.0115	Fettauffangwanne	Drip collector
20	1	3014.0156	Fühler Ablöschung/Bypass	Sensor bypass/quenching
21	1	2071.0100	Bypassrohr	Bypass pipe
22	1	1315.0104	Kupferdichtung 16x20x1,5	Copper washer 16x20x1,5
23	1	2016.0920	Bypassdüse ab 04/91	Bypass nozzle from 4/91
24	6	1106.0160	Sechskantmutter M6	Hex nut M6
25	1	5012.0555	Dichtung Bodenablauf	gasket for drain
26	4	1306.0221	Unterlegscheibe A6,4 DIN9021	Washer A6,4 DIN125
27	2	1206.0120	Zahnscheibe A6,4	Toothed lock washer A6,4
28	1	3101.1008	Kühllüfter	Cooling motor

Interior Cabinet

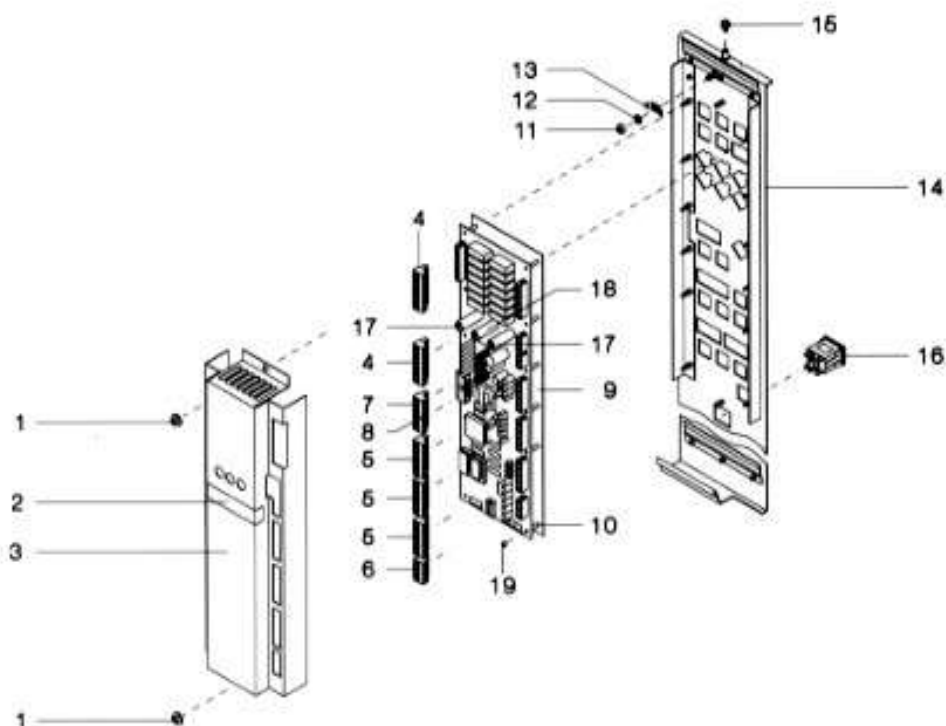
Voltage	Group	Page	Edition	Application from Serial. No.
3 N AC 380V 50Hz	6	6.1	6.1.1	11C90051001



Pos.	Pcs.	Sp.	Part No.	Description	Sign.
-	2		3023.0501	interior lamp cpl.	
1	1		8011.1104	air baffle cpl.	
2	1		2043.0203	holder plate for quick acting closure	
3	1		2043.0201	locking pin	
4	1		2010.0906	fat filter	
5	1		1112.0160	hex nut M12	
6	1		3035.0606	copper washer	
7	1		3035.0607	sensor core temperature	
8	2		3025.0002	lamp lens	
9	2		5012.0535	gasket	
10	2		3024.0200	bulb, heat resistant	
11	2		3023.0502	socket for interior lamp	H1,H2
12	4		2031.1000	spacer	
13	1		8400.0160	rail left	
14	1		8400.0162	rail right	
15	4		1005.0467	countersunk screw with slot M5x8	
16	1		2035.0110	nozzle for moistening	

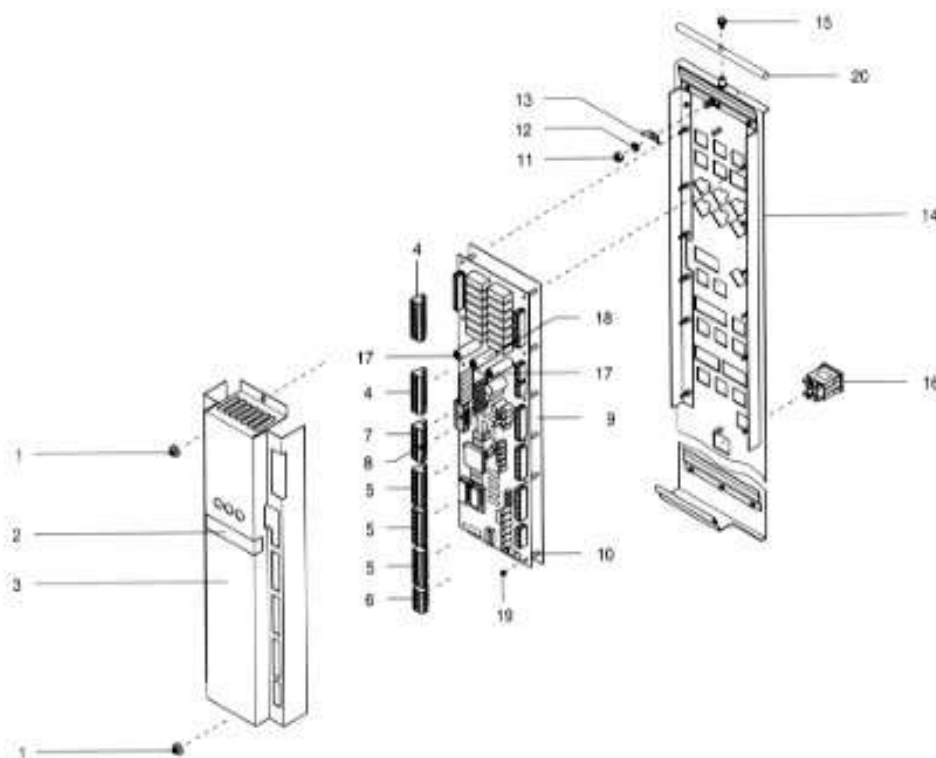
Control Panel

Voltage	Group	Page	Edition	Application from Serial. No.
3 N AC 380V 50Hz	1	1.1	1.1.1	11C90051001



Pos.Pcs.	Sp.	Part No.	Description	Sign.
1	2	1105.0122	hex-combi-nut M5	
2	1	4019.0017	pressure sensitive for cover	
3	1	8401.0021	cover for CC-pcb	
4	2	3040.0198	multipoint connector BL11	
5	3	3040.0197	multipoint connector BL10	
6	1	3040.0196	multipoint connector BL6	
7	1	3040.0195	multipoint connector BL5	
8	1	3040.0194	multipoint connector BL4	
9	1	3040.2020	pcb-CC cpl.	A1
10	12	1403.0165	hexagon bolt M3x15	
11	1	1106.0160	hex nut M6	
12	1	1206.0120	toothhead lock washer A6,4	
13	1	4002.0110	branch plug	
14	1	8600.0400	front panel with control panel	
15	1	1005.2000	safety screw M5x8	
16	1	3016.1430	main switch	S1
17	2	3019.0113	fuse 1,6A	A1/F1,A1/F3
18	2	3019.0119	fuse 1A	A1/F2,A1/F4
19	12	1403.0164	hex nut M3x5	

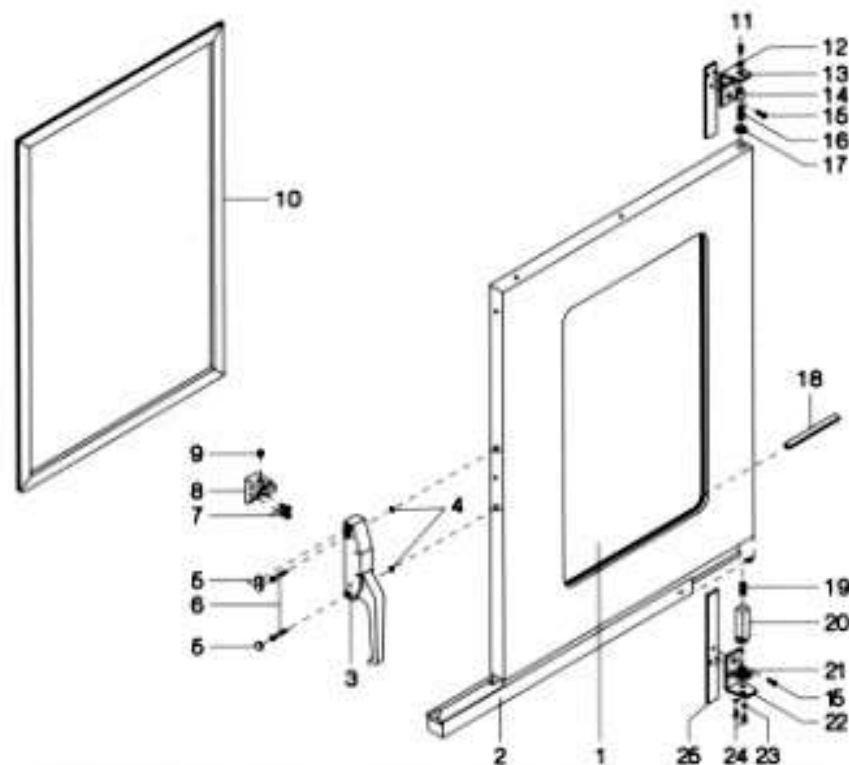
Bedienblende Control Panel	Spannung Voltage	Baugruppe Group	Ausgabe Edition	gültig ab Seriennummer Applicable from Serial.No.
	3 N AC 400V 50Hz	1	1.1.2	11C96011001



Pos.	St.	Ersatzl.Nr.	Bezeichnung	Description
Pos.	Pcs.	Sp. Part No.		
1	2	1105.0122	Sechskant-Combi-Mutter M5	Hex combination nut M5
2	1	4019.0017	Aufkleber für Abdeckung	Pressure sensitive for cover
3	1	8401.0021	Abdeckung CC-Platine	Cover for CC-pcb
4	2	3040.0198	Steckerleiste BL 11 CC-Platine	Multipoint connector BL11 CC PCB
5	3	3040.0197	Steckerleiste BL 10 CC-Platine	Multipoint connector BL10 CC PCB
6	1	3040.0196	Steckerleiste BL 6 CC-Platine	Multipoint connector BL6 CC PCB
7	1	3040.0195	Steckerleiste BL 5 CC-Platine	Multipoint connector BL5 CC PCB
8	1	3040.0194	Steckerleiste BL 4 CC-Platine	Multipoint connector BL4 CC PCB
9	1	3040.2020	Regel-u. Steuerelektronik CC	PCB type CC
10	12	1403.0165	Abstandsbolzen M3x15	Space bolt M3x15
11	1	1106.0160	Sechskantmutter M6	Hex nut M6
12	1	1206.0120	Zahnscheibe A6,4	Toothed lock washer A6,4
13	1	4002.0110	Steckverteiler 2-fach, 100 Stk.	Cable connector, junction, 100 ea
14	1	8600.0400	Frontplatte mit Blende	Front panel with overlay
15	1	1005.2000	Sperrzahnschraube M5x8	Interlocking tooth screw M5x8
16	1	3018.1430	Druckschalter Ein/Aus Typ CC	Main switch type CC
17	2	3019.0113	Feinsicherung 5x20 1,6A	Fuse 1,6 A
18	2	3019.0119	Feinsicherung 5x20 1,0A	Fuse 1A
19	12	1403.0164	Sechskantmutter M3x5	Hex nut M3x5
20	1	5012.0556	Dichtung für Bedienblende	Front panel gasket

Door

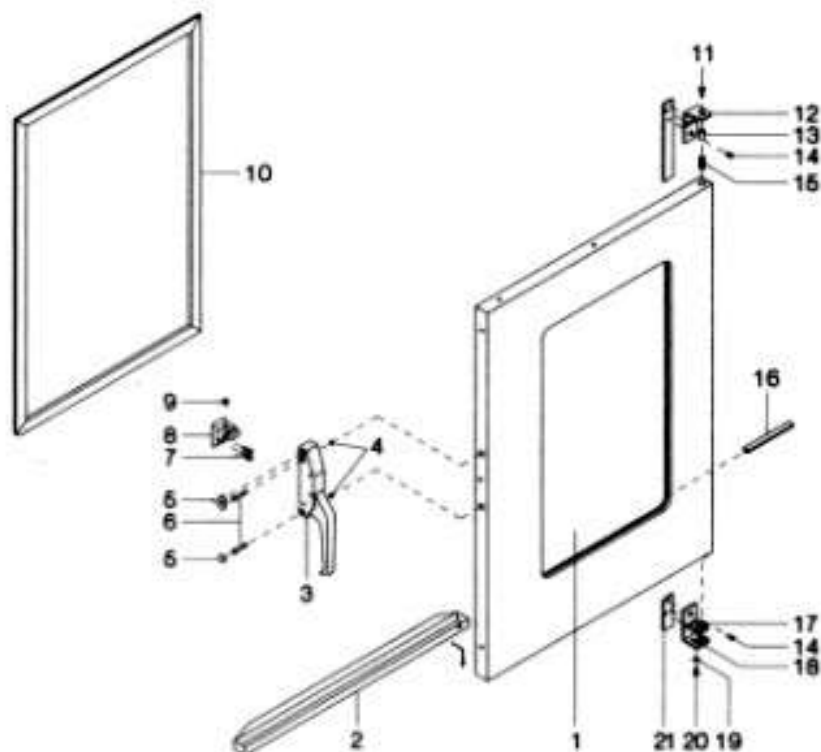
Voltage	Group	Page	Edition	Application from Serial. No.
3 N AC 380V 50Hz	7	7.1	7.1.1	11C90051001



Pos.	Pcs.	Sp.	Part No.	Description	Sign.
-	1		8202.20010489	door cpl.	
1	1		5015.0900	door window	
2	1		8100.0116	door drip collector	
3	1		2016.1100	door lock	
4	2		1305.0260	washer A5,3	
5	3		2016.1102	end-cap door lock	
6	2		1005.1964	socket countersunk head cap screw M5x30	
7	3		1005.2100	safety screw M5x16	
8	1		2016.0610	door catch	
9	2		1005.2000	safety screw M5x8	
10	1		5012.0704	door gasket	
11	1		1008.0752	hexagon cap screw M5x10	
12	1		1305.0360	washer A5,3	
13	1		8440.1000	door holder on top	
14	1		2016.0801	door bolt	
15	6		1005.1960	socket countersunk head cap screw M5x16	
16	1		2001.0107	compression spring	
17	1		1310.0160	washer	
18	1		5012.0202	set gasket for door window	
19	1		2001.0105	compression spring	
20	1		2016.0865	door locking bolt	
21	1		2016.0864	door locking plate	
22	1		8440.1006	door holder below	
23	2		1205.0362	spring washer A5,3	
24	1		1008.0752	hexagon cap screw M5x10	
25	1		8440.1008	door holding bracket	

Door

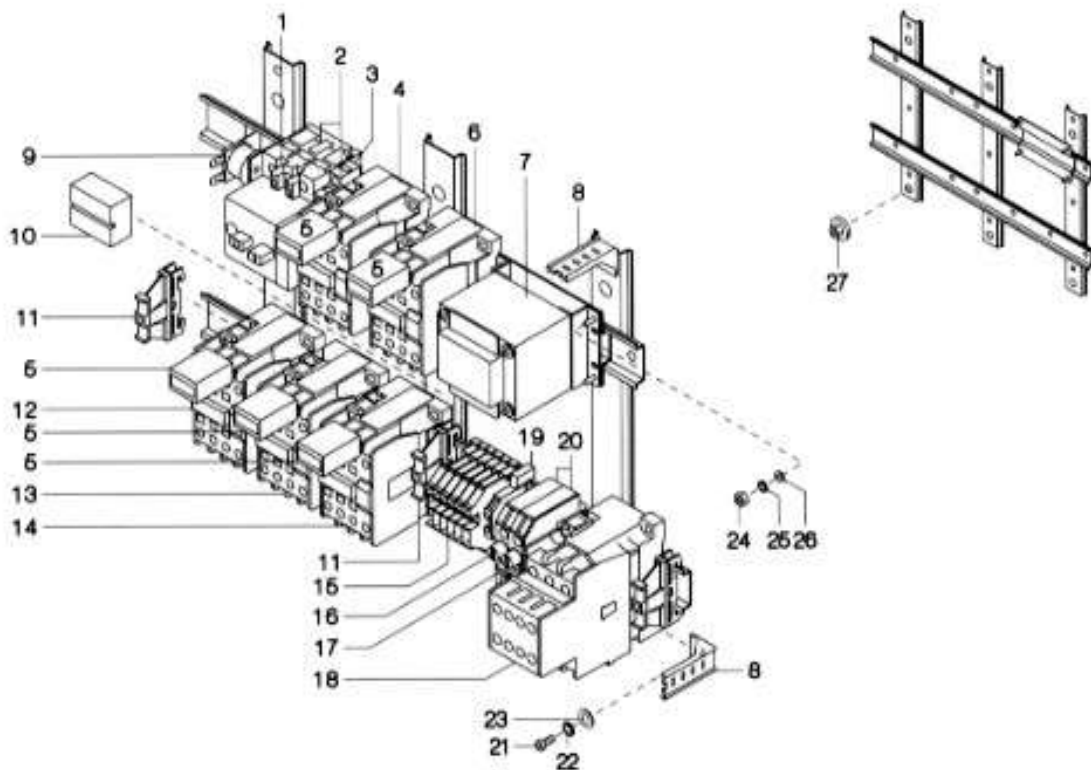
Voltage	Group	Page	Edition	Application from Serial. No.
3 N AC 380V 50Hz	7	7.1	7.1.2	11C91042001



Pos.	Pcs.	Sp.	Part No.	Description	Sign.
-	1		8202.3001	door cpl.	
1	1		5015.0900	door window	
2	1		2530.031166	door drip collector	
3	1		2016.1100	door lock	
4	2		1305.0260	washer A5,3	
5	3		2016.1102	end-cap door lock	
6	2		1005.1964	socket countersunk head cap screw M5x30	
7	3		1005.2100	safety screw M5x16	
8	1		2016.0610	door catch	
9	2		1005.2000	safety screw M5x8	
10	1		5012.0704	door gasket	
11	1		1008.0752	hexagon cap screw M5x10	
12	1		8440.1000	door holder on top	
13	1		2016.0801	door bolt	
14	6		1005.1960	socket countersunk head cap screw M5x16	
15	1		2001.0108	compression spring	
16	1		5012.0202	set gasket for door window	
17	1		2016.0884	door locking plate	
18	1		2630.210311	door holder below	
19	2		1205.0362	spring washer A5,3	
20	1		1008.0752	hexagon cap screw M5x10	
21	1		2630.200310	door holding bracket	

Electrical Installation

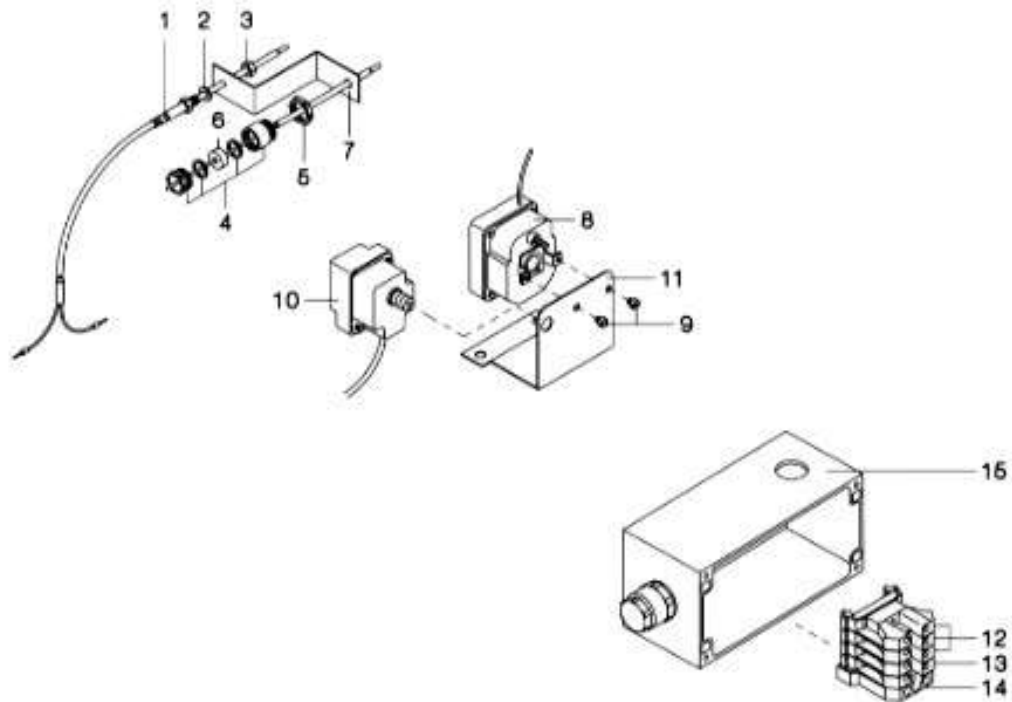
Voltage	Group	Page	Edition	Application from Serial. No.
3 N AC 380V 50Hz	2	2.1	2.1.1	11C90051001



Pos.	Pcs.	Sp.	Part No.	Description	Sign.
1	-		3031.0105	motor protector	
2	1		3031.0101	motor protector cpl.	F2
3	-		3031.0101	auxiliary contact for F2	
4	1		3028.0506	contactor part load steam	K5
5	5		3035.0515	RC-link	C1-C6
6	1		3028.0506	contactor part load steam	K6
7	1		3037.0210	transformer 220V	T2
8	4		2020.0400	cable holder	
9	1		3006.0101	alarm buzzer	T1
10	1		3035.0509	RC-link	C7
11	3		4001.1203	end plate	
12	1		3028.0506	motor contactor	K2
13	1		3028.0508	contactor part load hot air	K3
14	1		3028.0508	contactor part load hot air	K4
15	7		4001.1176	terminal block	
16	1		3019.0120	fuse 2A	F1
17	1		3019.0400	fuse 0,5A	F5
18	1		3028.0511	main contactor	K1
19	1		4001.1222	earth terminal 4mm	
20	2		4001.1228	fuse holder	F1,F5
21	5		1004.0660	hex socket head screw M4x10	
22	5		1204.0120	toothhead lock washer A4,3	
23	5		1304.0160	washer A4,3	
24	4		1103.0120	hex nut M3	
25	4		1203.0120	toothhead lock washer A3,2	
26	4		1304.0150	washer A3,2	
17	4		1106.0801	hex-combi-nut M6	

Electrical Installation

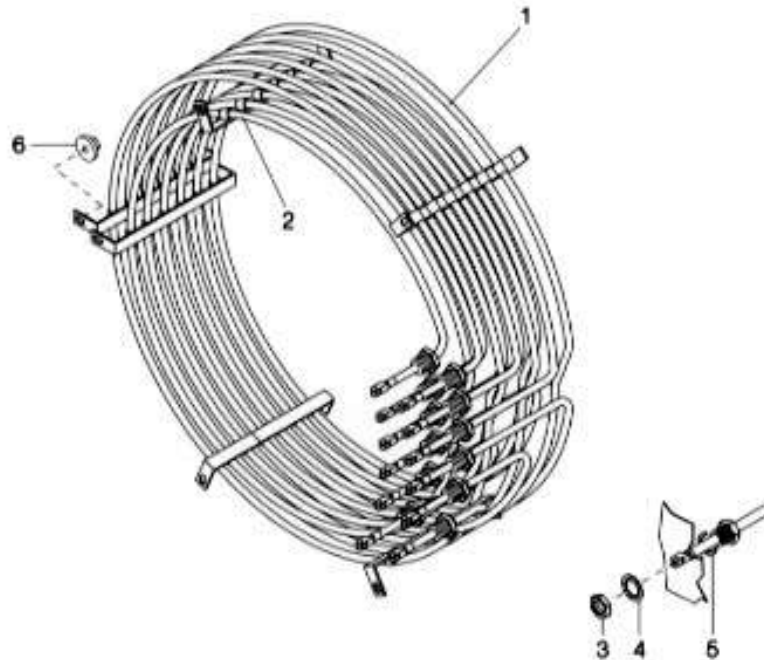
Voltage	Group	Page	Edition	Application from Serial. No.
3 N AC 380V 50Hz	2	2.2	2.2.1	11C90051001



Pos.	Pcs.	Sp.	Part No.	Description	Sign.
1	1		3014.0151	interior cabinet sensor	
2	1		1315.0101	copper washer	
3	1		1106.0160	hex nut M6	
4	1		4007.0600	cable connection PG9	
5	1		4007.0601	hex nut PG9	
6	1		2022.0100	gasket	
7	1		2520.400212	holding angle	
8	1		3014.0310	bi-limit safety thermostat 360°C	F3
9	2		1004.0060	slotted pan head screw M4x4	
10	1		3014.0300	bi-limit safety thermostat 125°C	F4
11	1		2520.311089	holding angle	
12	3		4001.1202	terminal block grey 16mm	
13	1		4001.1250	terminal block blue 16mm	
14	1		4001.1210	earth terminal 16mm	
15	1		3038.0200	terminal box	

Hot Air Heating

Voltage	Group	Page	Edition	Application from Serial. No.
3 N AC 380V 50Hz	4	4.1	4.1.1	11C90051001



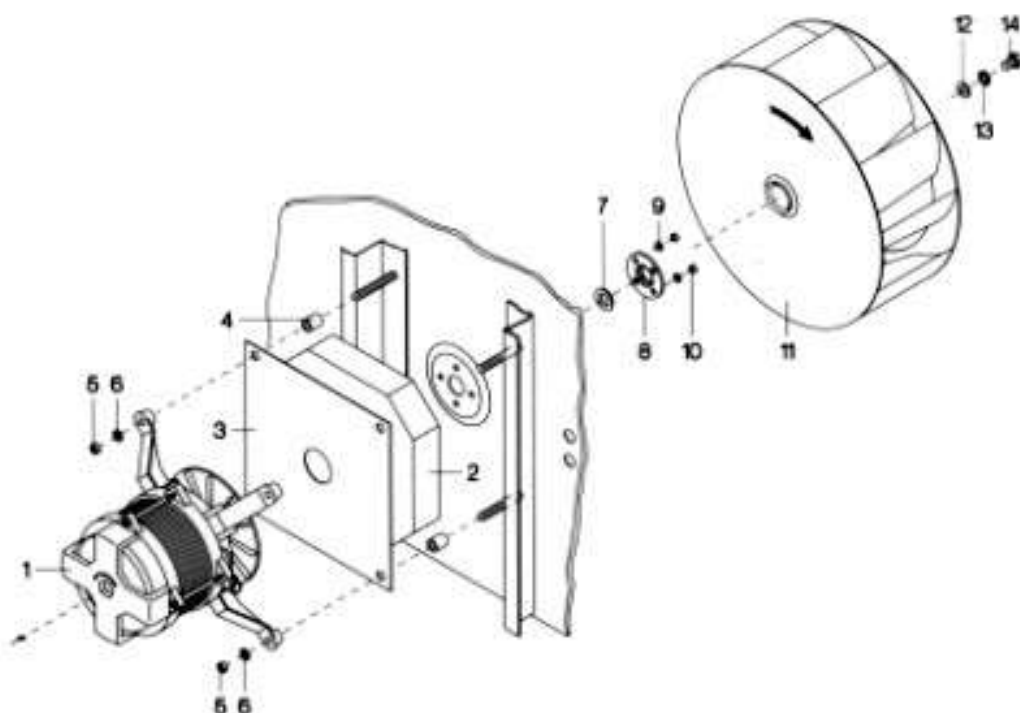
Pos.	Pcs.	Sp.	Part No.	Description	Sign.
-	1		3004.3520	heating assembly cpl.	
1	1		3004.3530	heating assembly big	
2	1		3004.3531	heating assembly smal	
3	12		3004.1406	hex nut M14	
4	12		3004.1405	toothhead lock washer	
5	12		3004.1404	copper washer	
6	6		1106.0801	hex-combi-nut M6	

Miscellaneous

Pos.Pcs.	Sp. Part No.	Description	Sign.
1	1003.2260	slotted raised countersunk head screw 4,2x16	
2	1004.2160	hex head tapping screw 4,2x16	
3	1104.0821	climp V2A	
4	1311.2260	rosette 5x12,5	
5	2001.0042	screw locking, heat resistant 10ml	
6	2005.0403	castor without brake	
7	2005.0404	castor with brake	
8	2067.0050	pressure hose NW10 1m	
9	4002.0100	cable shoes 2,5x6,3	
10	5006.0200	silicone (tube)	
11	5006.0500	gule for insulation plate steam generator	
12	5009.1200	insulation steam generator type 6 cpl.	
13	6004.0100	spray-pistol	
14	6004.0101	lengthening piece for spray-pistol	
15	6004.0102	gasket for spray-pistol	
16	6004.0200	hand pump for descaler	
17	6004.0202	lamp lens key	
18	6006.0101	RATIONAL special cleaning agent	
19	6006.0110	RATIONAL descaler	
20	8400.3002	handle for mobile oven rack	
21	9003.0202	graphite grease Unimol Plus	
22	9006.0701	copper grease 1l	
23	9006.0850	stainless steel cleaning paste	

Motor and Fan Wheel

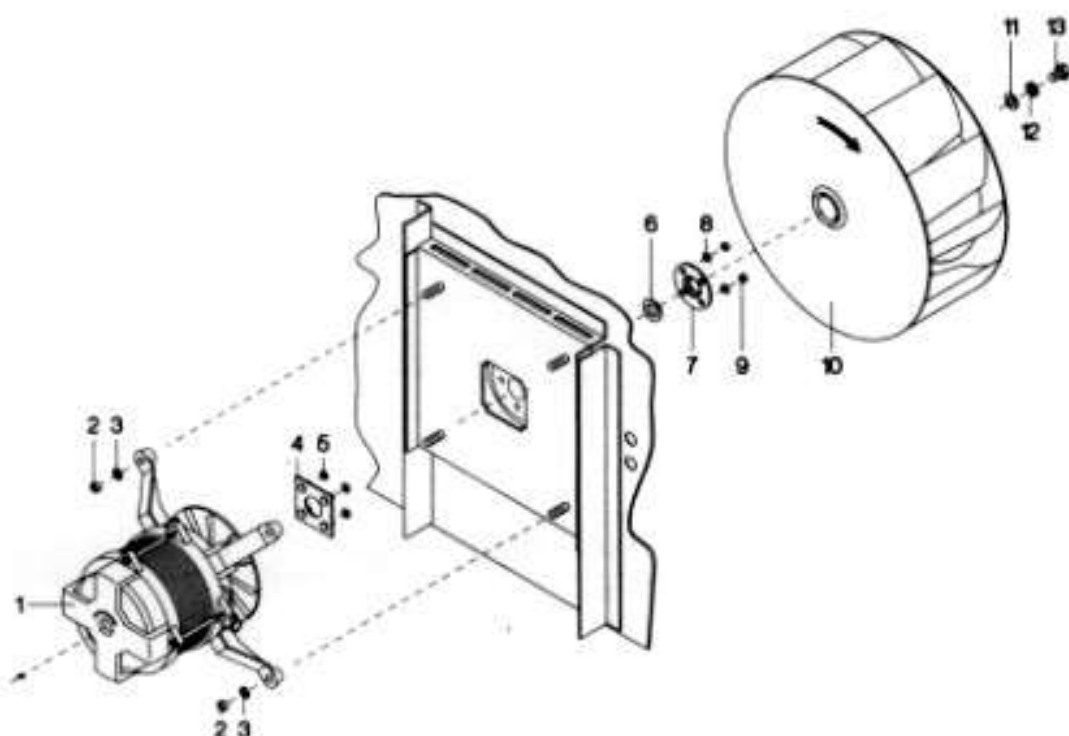
Voltage	Group	Page	Edition	Application from Serial. No.
3 N AC 380V 50Hz	5	5.1	5.1.1	11C90051001



Pos.	Pcs.	Sp.	Part No.	Description	Sign.
1	1		3001.0426	motor	M1
2	1		5009.2014	insulation plate	
3	1		2520.271108	motor plate	
4	4		2016.0880	spacer	
5	4		1108.0260	hex nut M8	
6	4		1208.0160	toothed lock washer A8,4	
7	1		5001.0207	motor gasket	
8	1		2016.0876	gasket flange	
9	4		1306.0120	washer A6,4	
10	4		1106.0220	hex nut M6 flat	
11	1		2012.0500	fan wheel	
12	1		1310.0160	washer A10,5	
13	1		1210.0160	toothed lock washer A10,5	
14	1		1010.0760	hex screw M10x16	

Motor and Fan Wheel

Voltage	Group	Page	Edition	Application from Serial. No.
3 N AC 380V 50Hz	5	5.1	5.1.2	11C90121203



Pos.Pcs.	Sp.	Part No.	Description	Sign.
1	1	3001.0426	motor	M1
2	4	1108.0260	hex nut M8	
3	4	1208.0160	toothed lock washer A8,4	
4	1	8506.0104	holder plate	
5	4	1315.0101	copper washer	
6	1	5001.0207	motor gasket	
7	1	2016.0876	gasket flange	
8	4	1306.0120	washer A6,4	
9	4	1106.0220	hex nut M6 flat	
10	1	2012.0500	fan wheel	
11	1	1310.0160	washer A10,5	
12	1	1210.0160	toothed lock washer A10,5	
13	1	1010.0760	hex screw M10x16	